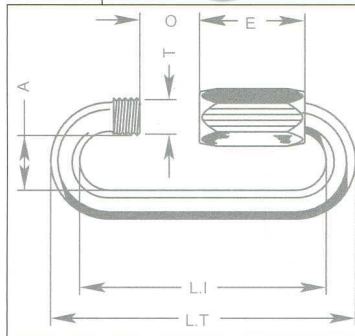


Grande ouverture-
Large opening



T1 Acier Zingué/Zinc plated steel

Réf	Diamètre/size		Dimensions-mm							Poids/weight		CU/WLL	CR/BL
	mm	inch	L.T.	L.I.	A	O	E	T	kg/100pcs	kg	kg		
MRGOZ02.5	2,5	3/32"	33,0	28,0	7,0	7,0	12,0	3,5	0,350	30	150		
MRGOZ03.0	3,0	7/64"	39,5	33,5	8,5	8,5	13,5	4,0	0,677	45	225		
MRGOZ03.5	3,5	1/8"	46,0	39,0	10,0	10,0	16,0	5,0	1,020	90	450		
MRGOZ04.0	4,0	5/32"	53,0	45,0	11,5	11,5	19,0	6,0	1,500	160	800		
MRGOZ05.0	5,0	3/16"	62,0	52,0	13,0	13,0	22,0	7,0	2,500	250	1 250		
MRGOZ06.0	6,0	1/4"	70,5	58,5	14,5	14,5	25,0	9,0	4,100	350	1 750		
MRGOZ07.0	7,0	9/32"	79,0	65,0	16,0	16,0	28,0	10,0	6,000	500	2 500		
MRGOZ08.0	8,0	5/16"	88,0	72,0	17,5	17,5	31,5	11,0	9,100	650	3 250		
MRGOZ09.0	9,0	3/8"	95,0	77,0	19,0	19,0	33,0	12,0	11,800	800	4 000		
MRGOZ10.0	10,0	7/16"	105,5	85,5	20,5	20,5	36,0	13,0	15,700	1 000	5 000		
MRGOZ12.0	12,0	1/2"	124,0	100,0	23,5	23,5	43,0	15,0	26,800	1 250	6 250		
MRGOZ14.0	14,0	9/16"	142,0	114,0	26,5	26,5	49,0	17,0	42,000	2 000	10 000		
MRGOZ16.0	16,0	5/8"	161,0	129,0	29,5	29,5	54,0	19,0	63,000	2 500	12 500		
MRGOZ18.0	18,0	11/16"	176,5	140,5	32,5	32,5	62,0	22,0	87,920	3 000	15 000		
MRGOZ20.0	20,0	25/32"	198,5	158,5	35,5	35,5	71,0	24,0	122,000	3 600	18 000		

T2 Inox/Stainless steel

Réf	Diamètre/size		Dimensions-mm							Poids/weight		CU/WLL	CR/BL
	mm	inch	L.T.	L.I.	A	O	E	T	kg/100pcs	kg	kg		
MRGOI02.5	2,5	3/32"	33,0	28,0	7,0	7,0	12,0	3,5	0,360	90	450		
MRGOI03.0	3,0	7/64"	39,5	33,5	8,5	8,5	13,5	4,0	0,700	145	725		
MRGOI03.5	3,5	1/8"	46,0	39,0	10,0	10,0	16,0	5,0	1,050	200	1 000		
MRGOI04.0	4,0	5/32"	53,0	45,0	11,5	11,5	19,0	6,0	1,540	250	1 250		
MRGOI05.0	5,0	3/16"	62,0	52,0	13,0	13,0	22,0	7,0	2,570	400	2 000		
MRGOI06.0	6,0	1/4"	70,5	58,5	14,5	14,5	25,0	9,0	4,200	580	2 900		
MRGOI07.0	7,0	9/32"	79,0	65,0	16,0	16,0	28,0	10,0	6,150	800	4 000		
MRGOI08.0	8,0	5/16"	88,0	72,0	17,5	17,5	31,5	11,0	9,330	980	4 900		
MRGOI09.0	9,0	3/8"	95,0	77,0	19,0	19,0	33,0	12,0	12,100	1 250	6 250		
MRGOI10.0	10,0	7/16"	105,5	85,5	20,5	20,5	36,0	13,0	16,100	1 600	8 000		
MRGOI12.0	12,0	1/2"	124,0	100,0	23,5	23,5	43,0	15,0	27,470	2 200	11 000		
MRGOI14.0	14,0	9/16"	142,0	114,0	26,5	26,5	49,0	17,0	43,050	3 100	15 500		
MRGOI16.0	16,0	5/8"	161,0	129,0	29,5	29,5	54,0	19,0	64,580	4 000	20 000		

Couple de serrage (N.m)
Tightening torque (N.m)

Ø F	Couple
2,5	0,15
3,0	0,30
3,5	0,60
4,0	0,70
5,0	0,80
6,0	1,20
7,0	2,50
8,0	3,00
9,0	4,50
10,0	7,00
12,0	9,00
14,0	12,00
16,0	18,00
18,0	30,00
20,0	40,00

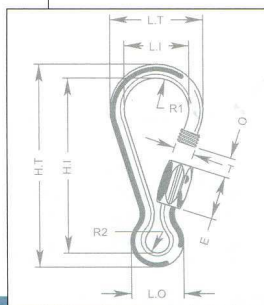
T3 Zicral/Zicral

Réf	Diamètre/size		Dimensions-mm							Poids/weight		CU/WLL	CR/BL
	mm	inch	L.T.	L.I.	A	O	E	T	kg/100pcs	kg	kg		
MRGOZIC07.0	7,0	9/32"	79,0	65,0	16,0	16,0	28,0	10,0	2,154	200	1 000		
MRGOZIC10.0	10,0	7/16"	105,0	85,0	20,5	20,5	36,0	13,0	5,600	400	2 000		

T4 Laiton/Brass

Réf	Diamètre/size		Dimensions-mm							Poids/weight		CU/WLL	CR/BL
	mm	inch	L.T.	L.I.	A	O	E	T	kg/100pcs	kg	kg		
MRGOL03.0	3,0	7/64"	39,5	33,5	8,5	8,5	13,5	4,0	0,700	40	200		
MRGOL03.5	3,5	1/8"	46,0	39,0	10,0	10,0	16,0	5,0	1,050	70	350		
MRGOL04.0	4,0	5/32"	53,0	45,0	11,5	11,5	19,0	6,0	1,540	100	500		
MRGOL05.0	5,0	3/16"	62,0	52,0	13,0	13,0	22,0	7,0	2,570	150	750		
MRGOL06.0	6,0	1/4"	70,5	58,5	14,5	14,5	25,0	9,0	4,200	250	1250		
MRGOL07.0	7,0	9/32"	79,0	65,0	16,0	16,0	28,0	10,0	6,150	400	2000		
MRGOL08.0	8,0	5/16"	88,0	72,0	17,5	17,5	31,5	11,0	9,330	550	2750		

Œil-Eyelet



T5 Acier Zingué/Zinc plated steel

Réf	Diamètre/size		Dimensions-mm										Poids/weight		CU/WLL	CR/BL
	mm	inch	L.T.	L.I.	L.O.	H.T	H.I	O	E	R1	R2	T	kg/100pcs	kg	kg	
MRCEZ03.0	3,0	7/64"	20,0	14,0	11,0	44,0	38,0	4,0	9,0	7,0	2,50	4,0	0,674	32	160	
MRCEZ03.5	3,5	1/8"	23,0	16,0	13,0	51,0	44,0	5,0	11,0	8,0	3,00	5,0	1,062	56	280	
MRCEZ04.0	4,0	5/32"	28,0	20,0	15,0	59,0	51,0	5,5	12,5	10,0	3,50	6,0	1,594	80	400	
MRCEZ05.0	5,0	3/16"	33,0	23,0	18,0	68,0	58,0	6,5	16,0	11,5	4,00	7,0	2,762	120	600	
MRCEZ06.0	6,0	1/4"	39,0	27,0	21,5	80,0	68,0	7,5	19,0	13,5	4,75	9,0	4,628	200	1 000	
MRCEZ07.0	7,0	9/32"	43,0	29,0	24,8	89,0	75,0	8,5	21,5	14,5	5,40	10,0	6,785	320	1 600	
MRCEZ08.0	8,0	5/16"	47,0	31,0	28,5	97,0	81,0	10,0	24,0	15,5	6,25	11,0	9,992	480	2 400	

CU : charge utile / WLL : working load limit - CR : charge de rupture / BL : breaking load